

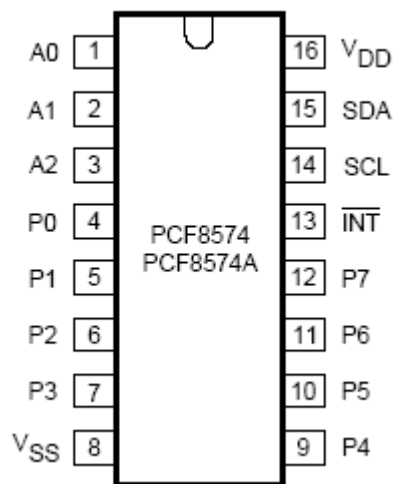
Post date:

Sunday, July 13, 2014 - 04:52

Last modified:

Tuesday, July 9, 2019 - 17:05

Reference: <http://www.ti.com/lit/ml/scyb031/scyb031.pdf>



L = VSS (ground)

H = VDD (supply voltage 2.5V - 6V)

A 2	A 1	A 0	PCF8574	PCF8574A
L	L	L	20 (hexadecimal)	38 (hexadecimal)
L	L	H	21 (hexadecimal)	39 (hexadecimal)
L	H	L	22 (hexadecimal)	3A (hexadecimal)
L	H	H	23 (hexadecimal)	3B (hexadecimal)
H	L	L	24 (hexadecimal)	3C (hexadecimal)
H	L	H	25 (hexadecimal)	3D (hexadecimal)
H	H	L	26 (hexadecimal)	3E (hexadecimal)
H	H	H	27 (hexadecimal)	3F (hexadecimal)

**Disclaimer:**

The information found here has been created to help people.

The steps given have worked for me with out a problem, but i will not be held responsible for how you use the information or what the out come of the use does for you.

If there is something that could cause problems or there is a risk in doing it, i have noted that - and done so for good reason. [Google](#) and [Yahoo](#) are great resources, so please use them also.

Mobile QR Barcodes:

[Save Article as PDF](#)



**Current URL Address**



**<br />Other site pages which link here:<hr />**

- [MINI NC Controller for Z-axis: 4x4 Matrix Keypad](#)

Category:  
[Electronics](#)

Tags:  
[Arduino](#)  
[Texas Instruments](#)

-  [Save page as PDF](#)
-